

A PRACTICAL SOLUTION FOR VETERINARY CLINICS

myvet table X500

Digital Radiographic Table
with 17x17 inch Tethered DR Panel

- Powerful 32kW generator
- 17"x17" CsI tethered flat panel detector
- 4-way floating table for easy animal positioning
- Compact design to optimizes placement
- Intuitive user interface panel

Compact, Powerful and Integrated X-ray System

Powerful and Practical

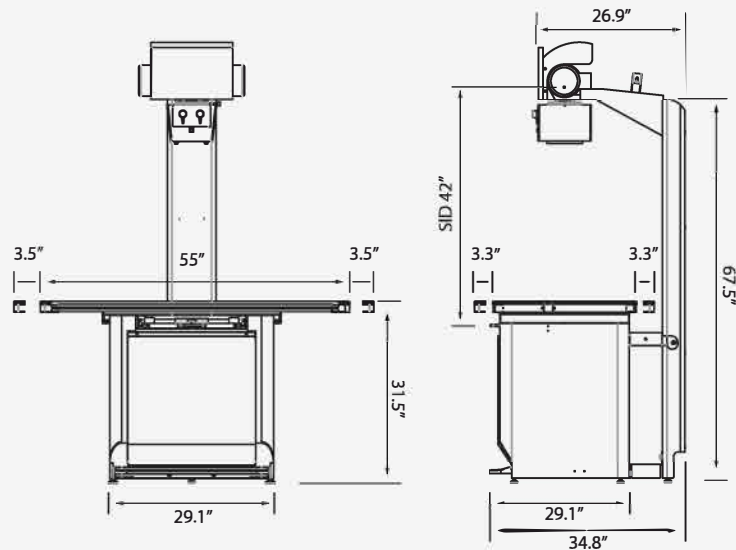
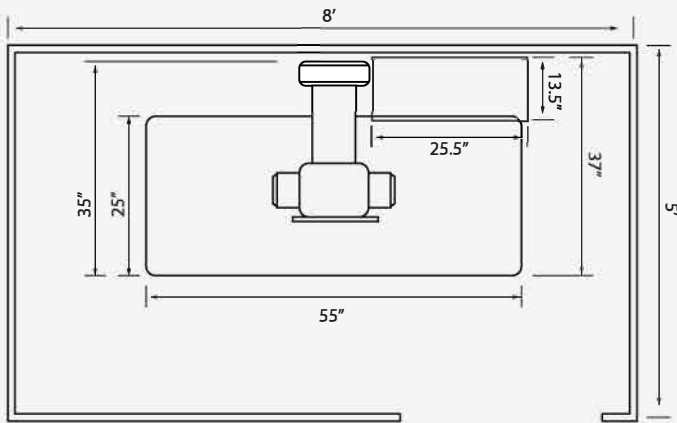
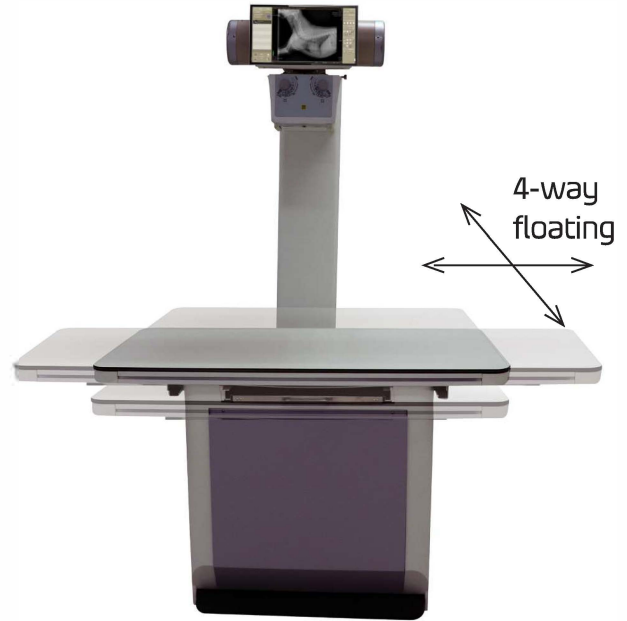
The 32kW high frequency generator ensures the lowest dose exposures by optimal exposure techniques by selecting the maximum mA based on kVp and mAs. A rotating anode x-ray tube with dual focal spots provides superb image quality for confident diagnosis.

Integrated and Efficient

A robust tube stand mounted directly to the table that houses the generator offers the most space-saving solution for any clinical environment. Spring-activated locks quietly release the four-way floating tabletop that helps calm animals as they are positioned on the table.

Compact and Convenient

The X500, with a small working footprint and tethered 17 x 17 inch Cesium iodide flat panel detector, provides a veterinary practitioner a compact and powerful digital x-ray system for all of their imaging needs.



Flat Panel Detector

Detection Area	17 x 17 in
Sensor Type	Amorphous Silicon with TFT
Scintillator	Cesium-Iodide(CsI)

* Specifications subject to change without prior notice *

Generator

Model	X500
Max Output	32kW
kV Range	40-125kV
mA Range	10-400mA
mAs Range	0.1-500mAs

myvet table X500



5325 Louie Lane Suite 1 Reno, NV 89511
 Toll Free: 800-300-XRAY (9729)
 Email: sales@wctxray.com
 Visit us at: www.wctxray.com